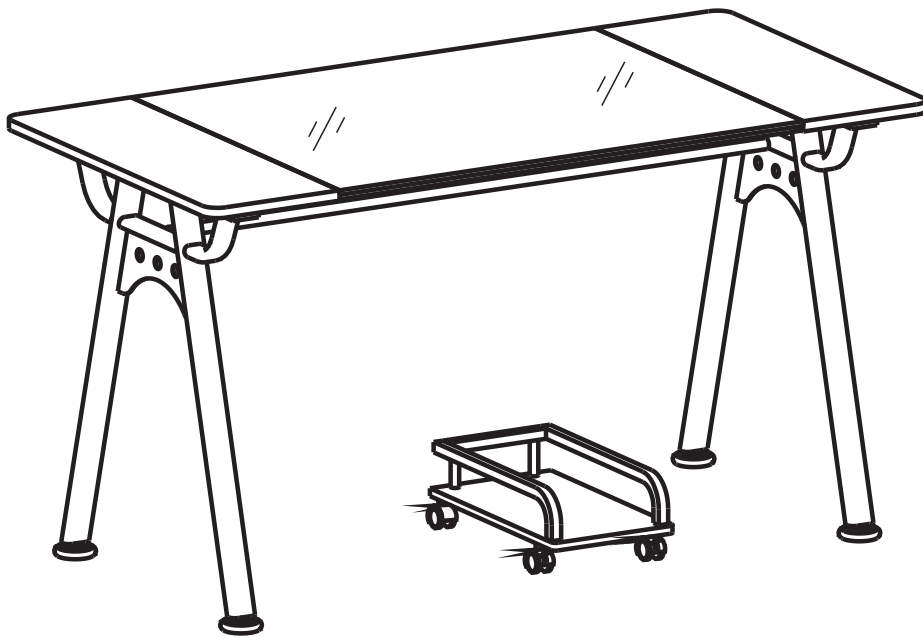


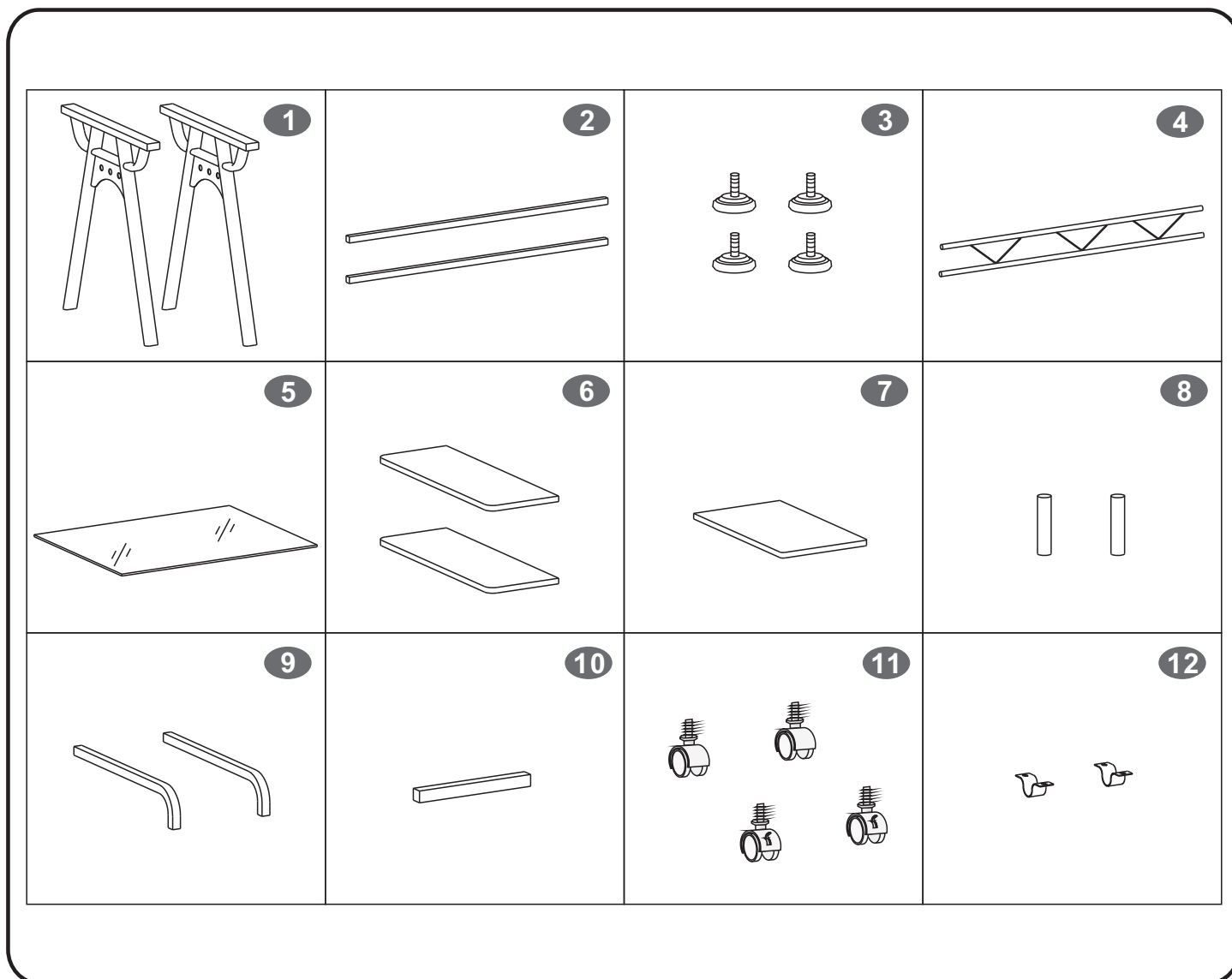
ORION

Aufbauanleitung
Assembly Instructions

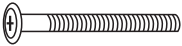

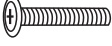
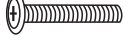



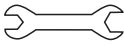
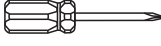
hjh.[®]
OFFICE

▪ TEILELISTE / PARTS LIST



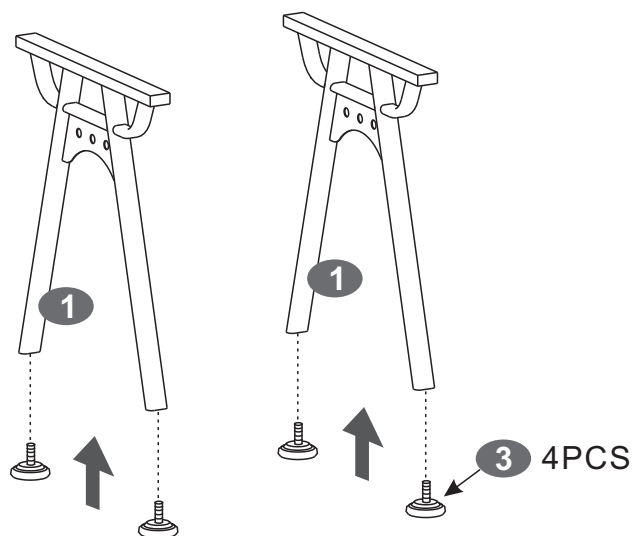
▪ MONTAGEMATERIAL / SCREWS LIST

PART	QTY.	ITEM	
A	4	6X70 MM	
B	4	6X60 MM	
C	12	6X30 MM	
D	8	6X35 MM	

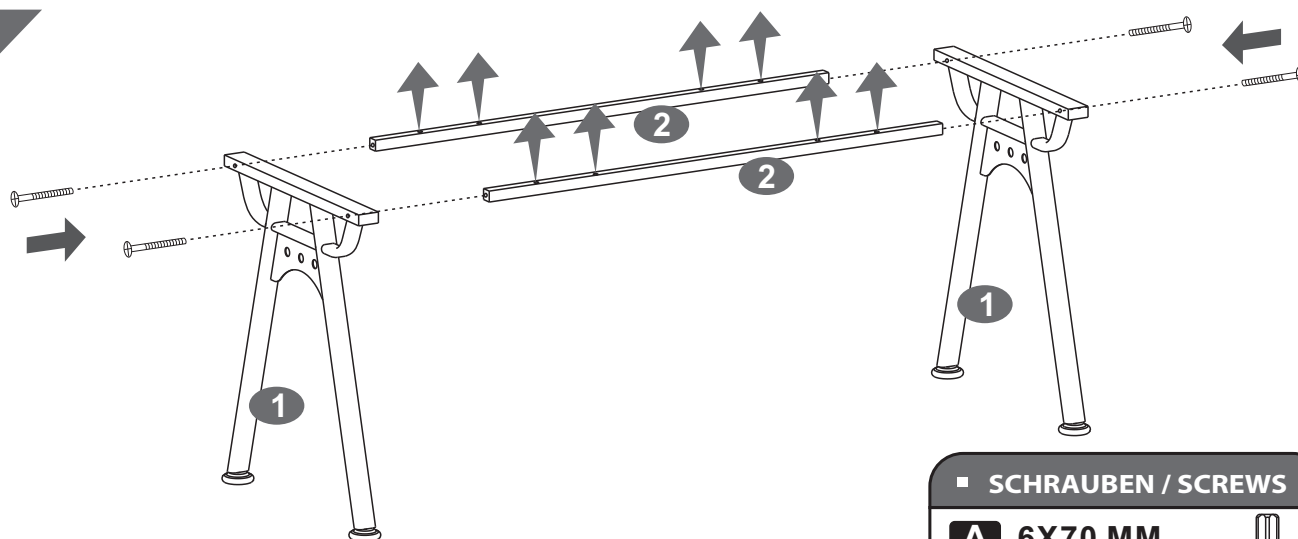
PART	QTY.	ITEM	
E	4	4X14 MM	
	1		
	1		

▪ AUFBAU / ASSEMBLY:

1



2



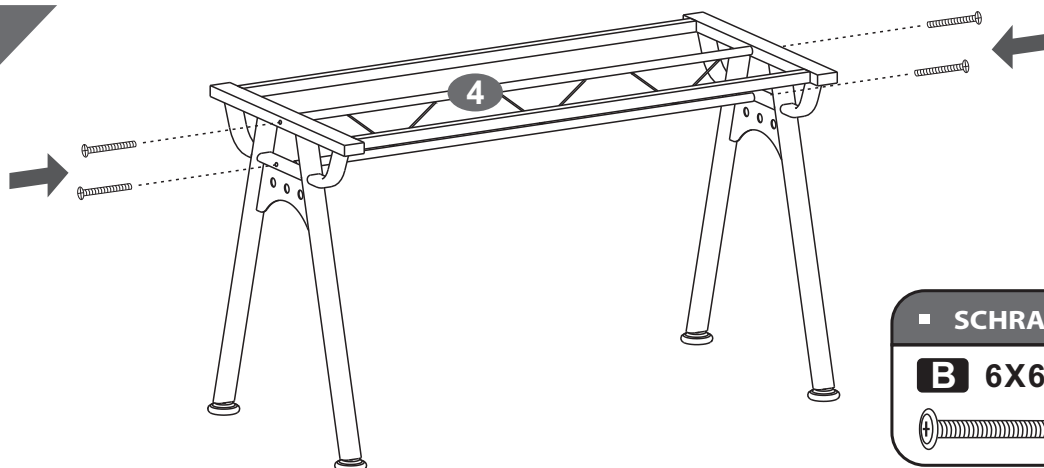
▪ SCHRAUBEN / SCREWS

A 6X70 MM

4PCS



3



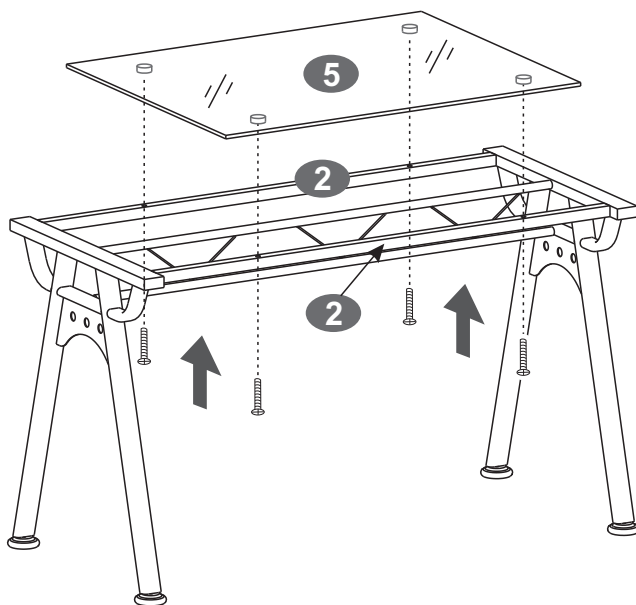
▪ SCHRAUBEN / SCREWS

B 6X60 MM

4PCS



4



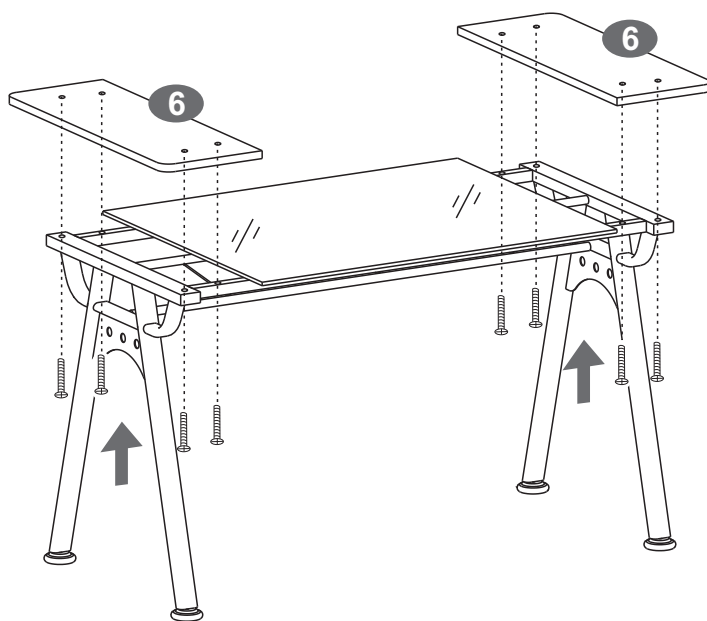
▪ SCHRAUBEN / SCREWS

C 6X30 MM

 4PCS



5



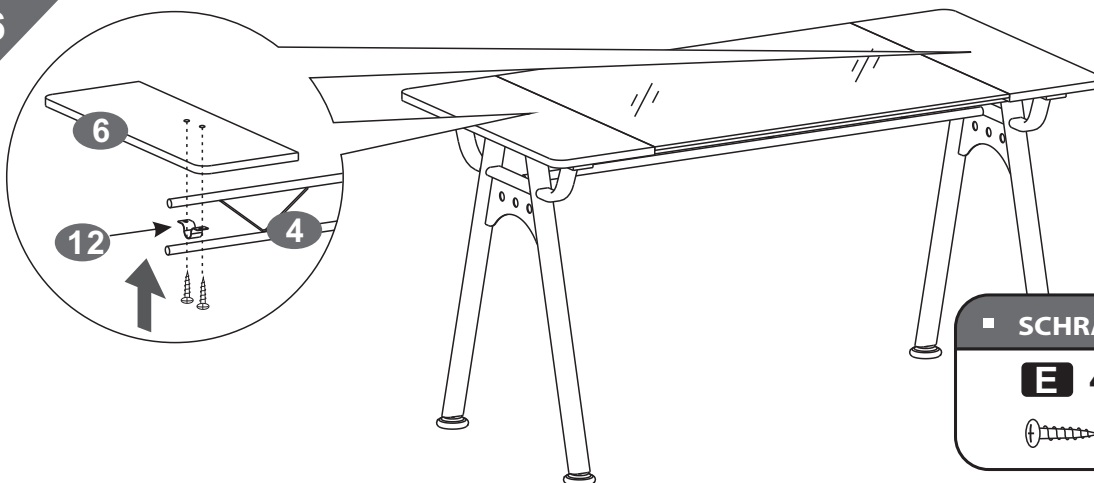
▪ SCHRAUBEN / SCREWS

D 6X35 MM

 8PCS



6



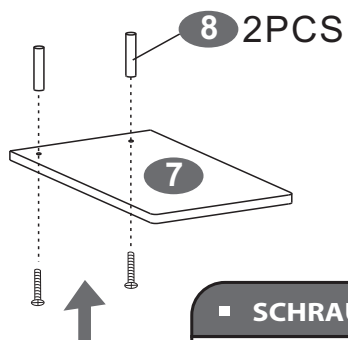
▪ SCHRAUBEN / SCREWS

E 4X14 MM

 4PCS



7



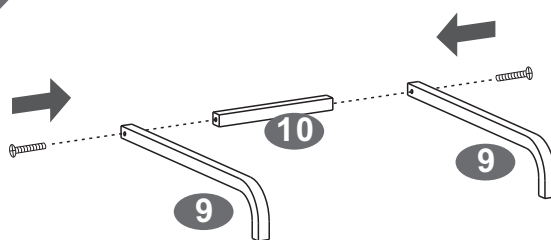
■ SCHRAUBEN / SCREWS

C 6X30 MM

2PCS



8



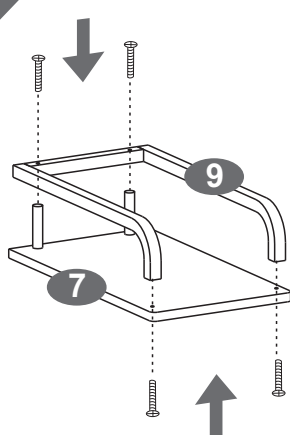
■ SCHRAUBEN / SCREWS

C 6X30 MM

2PCS



9



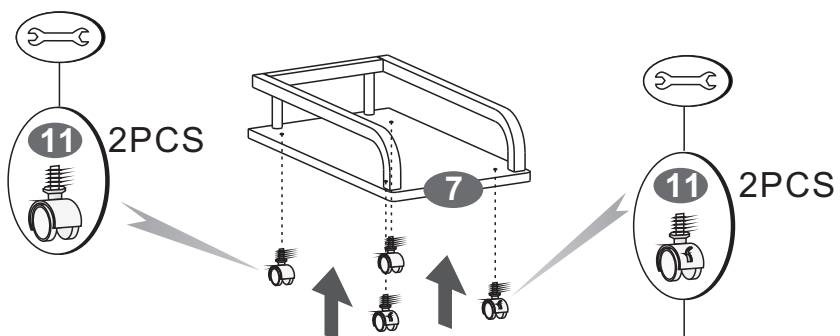
■ SCHRAUBEN / SCREWS

C 6X30 MM

4PCS



10



Gebremste Rolle vorne!

--- --

Locking caster on the front!

11

